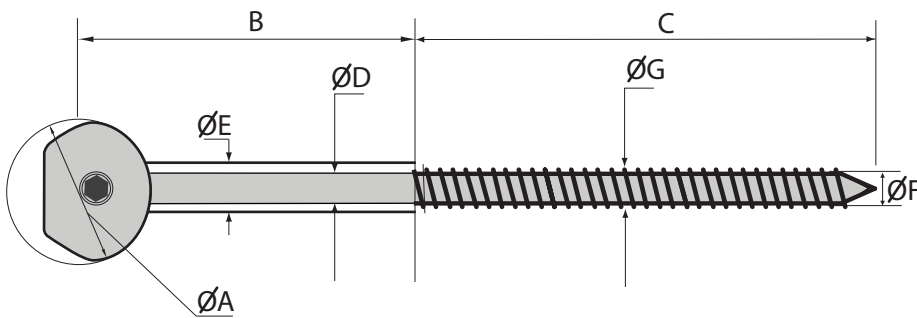


Super UT 14.100

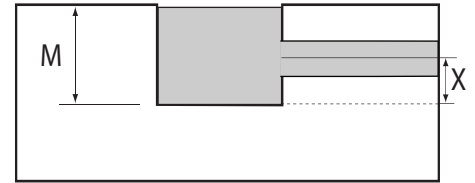
Post Fastener (12mmx278mm)



SPECIFICATION



SHAFT CENTRE CALCULATION



M= Minimum Bore Depth 28mm (1 7/64 inches)
 X = Shaft Centre 14mm (9/16 inches)

Measurements

| | Millimitres | Inches |
|---|-------------|---------------------------------|
| A | 35 | 1 ³ / ₈ |
| B | 125 | 4 ²⁹ / ₃₂ |
| C | 143 | 5 ⁴¹ / ₆₄ |
| D | 11 | 7/ ₁₆ |
| E | 13 | +/- 33/ ₆₄ |
| F | +/- 10 | 13/ ₃₂ |
| G | 13.5 | 17/ ₃₂ |



Fix post to timber or concrete floor.
 Consider using more than 1 for posts larger than 90 mm sq