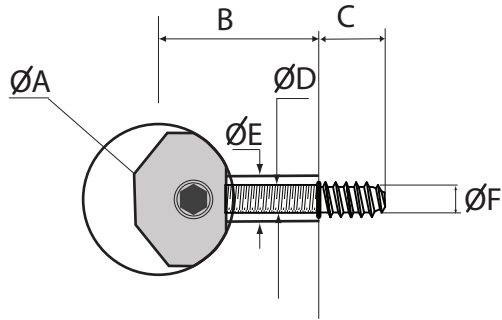
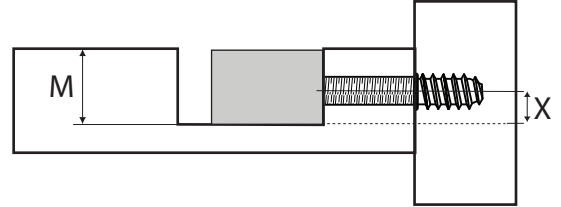


SPECIFICATION



SHAFT CENTRE CALCULATION



M= Minimum Bore Depth 12.5mm (31/64 inches)
 X = Shaft Centre 5.5mm (13/64 inches)

Measurements

	Millimitres	Inches
A	25	
B	25	
C	12	
D	6	
E	7	
F	5	

