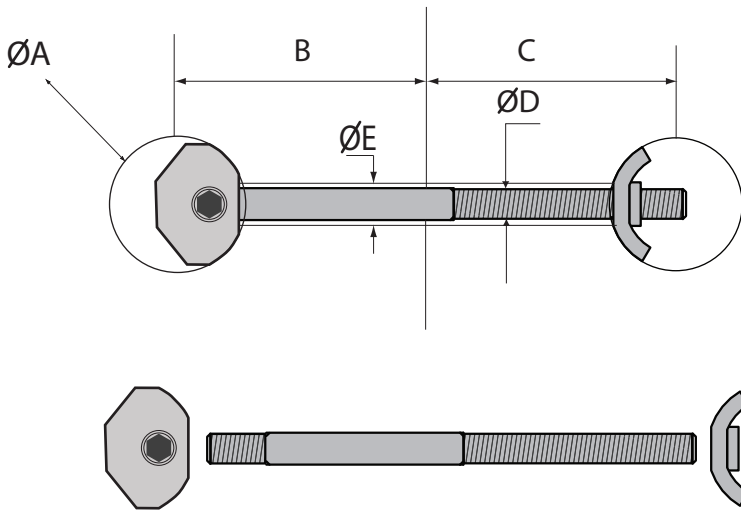
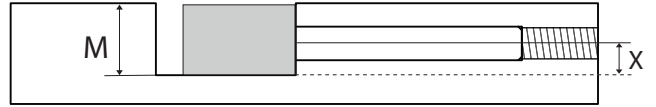


SPECIFICATION



SHAFT CENTRE CALCULATION



M = Minimum Bore Depth 12.5mm (31/64 inches)
 X = Shaft Centre 5.5mm (13/64 inches)

Measurements

	Millimetres	Inches
A	25	1
B	38 - 44	$1\frac{1}{2} - 1\frac{47}{64}$
C	38 - 44	$1\frac{1}{2} - 1\frac{47}{64}$
D	6	$\frac{15}{64}$
E	7	$\frac{9}{32}$

