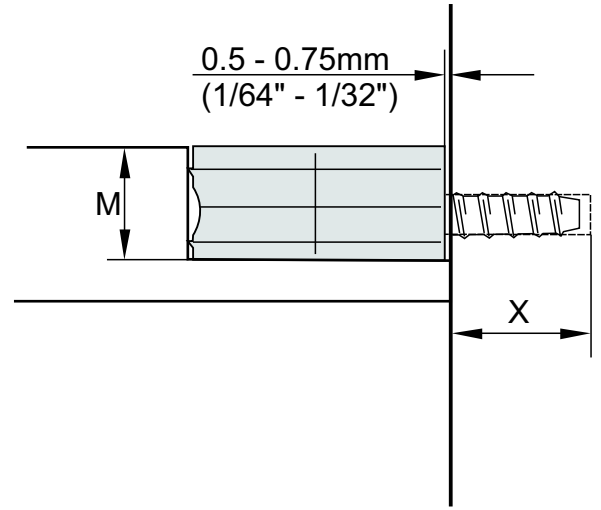
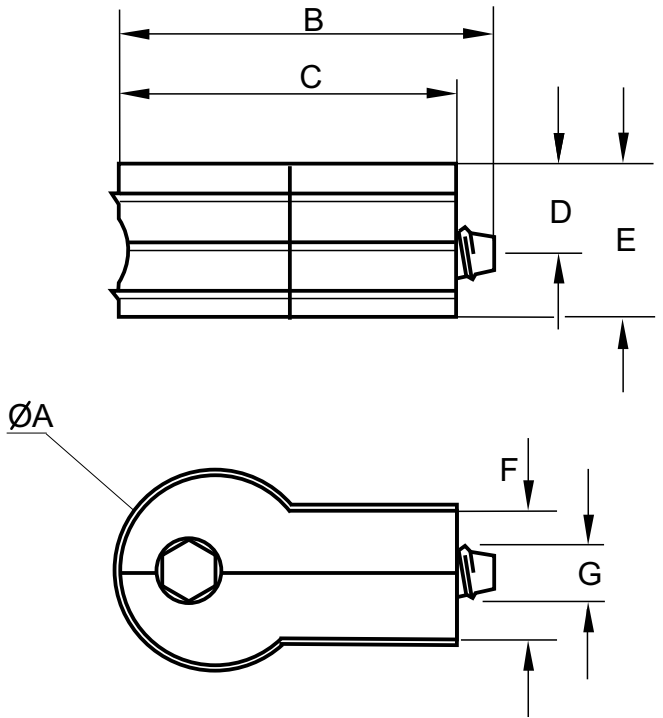


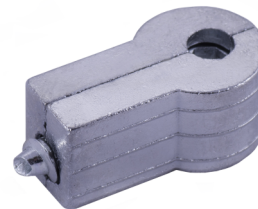
## SPECIFICATION



M = min. depth 12.7mm (1/2")  
 X = min. depth 13mm (53/64")

## Measurements

	Millimetres	Inches
A	15	19/32
B	31	1 7/32
C	27.5	1 5/16
D	7.5	19/64
E	12.7	1/2
F	10	25/64
G	5	13/64



**NOTE:** During programming of the cut-out it is recommended that the Onedrive should be first test fitted ensuring that the fit is firm into the material and that the height is correct. A small setback of 0.5mm-0.75mm 1/64" - 1/32" from the front edge is very important.