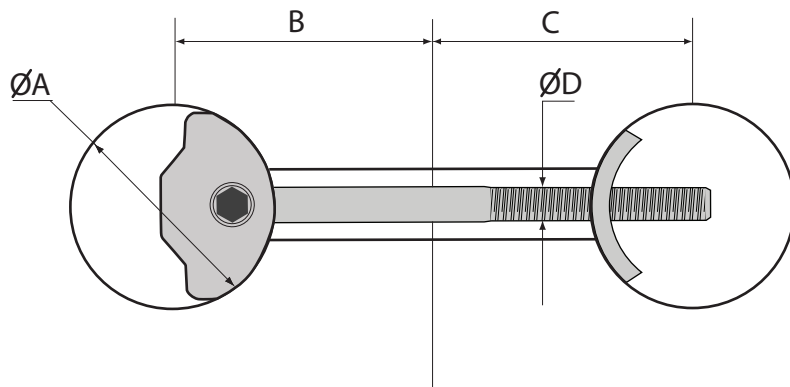
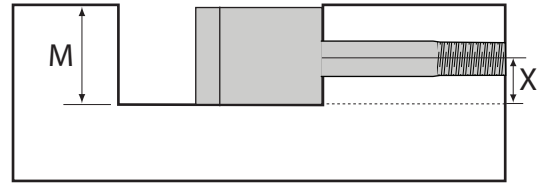


## SPECIFICATION



### SHAFT CENTRE CALCULATION



M= Minimum Bore Depth 20mm (51/64 inches)  
 X = Shaft Centre 10mm (25/64 inches)

## Measurements

	Millimetres	Inches
A	35	1 <sup>3</sup> / <sub>8</sub>
B	50 - 62	1 <sup>31</sup> / <sub>32</sub> - 2 <sup>7</sup> / <sub>16</sub>
C	50 - 62	1 <sup>31</sup> / <sub>32</sub> - 2 <sup>7</sup> / <sub>16</sub>
D	6	1 <sup>5</sup> / <sub>64</sub>



5mm hex bit